



Arlington Industries, Inc.
 1 Stauffer Ind. Park - Scranton, Pa. 18517
 800-233-4717 570-562-0646
 www.aifittings.com - E-MAIL: sales@aifittings.com
 Manufacturers of Quality Electrical Products

AI CAT. #
 FLBT6615MB (BRASS)
 FLBT6615NL (NICKEL)

Round Pop-Up Coverplate Kit

WARNING : Make sure power is OFF at main panel box before installing.

Installation Instructions

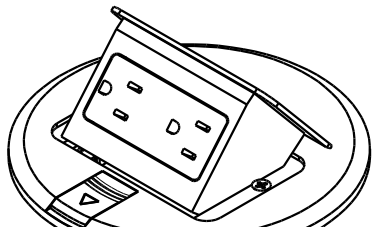
1. Remove concrete pour cover.
2. Adjust height of leveling ring (not provided) for height of finished floor and install leveling ring w/ PVC cement.
3. Grout around leveling ring using concrete sealant
4. Wire receptacle according to National (NEC/CEC), State/Providence, and Local electrical codes.
5. Attach coverplate to leveling ring with two #6-32 x 3/4" screws.

NOTE: ALL WIRING MUST BE IN ACCORDANCE WITH ALL APPLICABLE NATIONAL (NEC/CEC), STATE, PROVIDENCE, AND LOCAL CODES

LATCH MECHANISM

SLIDE TO
OPEN/CLOSE

Contents:



COVERPLATE



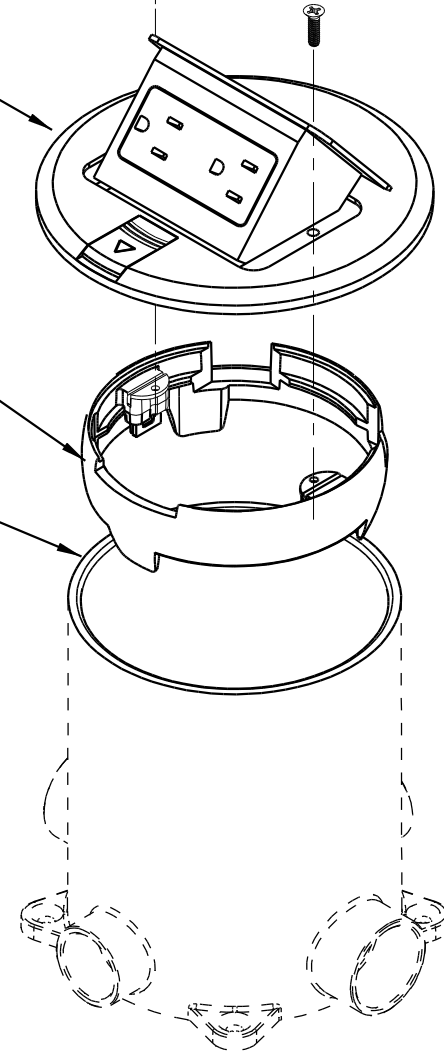
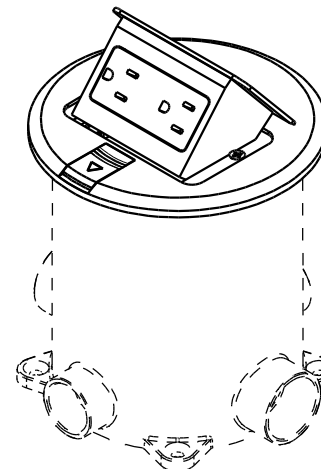
#6-32 x 3/4"
LG. SCREW

#6-32 x 3/4" SCREW

COVERPLATE
w/ RECEPTACLE

LEVELING RING
(NOT PROVIDED)
AI CAT #FLBT6615LR

CONCRETE BOX
(NOT PROVIDED)
AI CAT #FLBC4500



If you have any questions or if parts are missing Please call our Customer Service Department at 1-800-233-4717. Do not call or return this product to your local store or distributor.